

HandySenS^M

Handheld Signal Conditioner for (WLPI) Technology

Key Features



- Compact and rugged design
- Portable battery-operated unit
- Sampling rate up to 250 Hz
- Large convenient touchscreen display
- Ethernet & USB interface
- Supports a broad range of temperature sensors

HandySenS^M OpSens' WLPI Technology

Description

The HandySenS^M is a compact and portable signal conditioner to be used with any of OpSens' interferometric fiber optic sensors, i.e. the WLPI fiber optic sensors, for temperature, pressure, strain, and position measurements.

At the heart of the HandySenS-M is the OpSens' White Light Polarization Interferometry (WLPI) technology (patent # 7,259,862) which provides a mean for making accurate and absolute measurements of the path length difference of any type of interferometric fiber optic sensors, whose difference varies according to the measure of interest. The HandySenS^M unit is the latest generation of OpSens' signal conditioners equipped with state-of-the-art technologies. Highly versatile, it supports a broad range of fiber optic sensors and offers measurement sampling rate up to 250 Hz.

The HandySenS^M is equipped with a large and practical 5.0" touchscreen display and can be battery operated for remote monitoring projects. The single channel signal conditioner can be controlled directly using the touchscreen display or remotely using the Ethernet Interface 10/100 Base-T and/or USB for real-time data acquisition. The unit is equipped with internal storage to provide the required autonomy in remote locations.

Applications

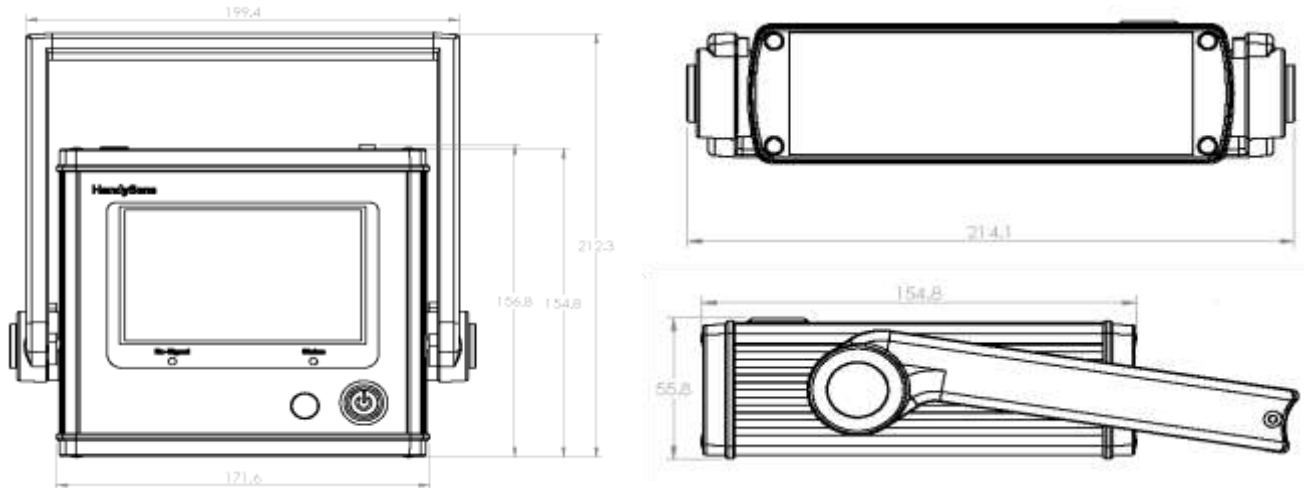
- Physiological pressure monitoring:
 - Intra vascular blood pressure
 - Urodynamic
 - Intra cranial pressure
 - Intra uterine pressure
 - Intra ocular
 - Cardiac assist applications
- Pressure measurement under electro-surgery
- MRI and MW/RF related practices
- Customer specific catheter application
- Guidewire design (0.25 mm OD transducer)

opSens[™] | Medical

Enlightenment through smart measurements

HandySenS^M

Handheld Signal Conditioner for (WLPI) Technology



All units are in millimeters

SPECIFICATIONS

NUMBER OF CHANNELS	Single
DISPLAY	5.0" color (800x480) capacitive touchscreen.
SAMPLING RATE	User defined 2Hz to 250 Hz.
ANALOG OUTPUTS	0-5 V, ± 5 V, 0-10 V, 0-20mA, 4-20 mA
COMMUNICATION INTERFACES	Ethernet Interface 10/100 Base-T and USB
INPUT VOLTAGE AND FREQUENCY	24V to 32 V (AC/DC wall-transformer adapter included)
CONSUMPTION	Max power 36W (during battery charging)
BATTERY	Rechargeable battery with an autonomy of 8 hours
DIMENSION & WEIGHT	55.8 mm (H) x 199.4 mm (W) x 214.1 mm (L) - 0.68 Kg
STORAGE TEMPERATURE	-40 °C to 70 °C
OPERATING TEMPERATURE	0 °C to 50 °C
HUMIDITY	95 % non condensing
INTERNAL STORAGE	32 Gigabytes
COMPATIBILITY	All OpSens Medical's WLPI fiber optic sensors

OpSens Inc. reserves the right to make any changes to the above specifications without prior notice.
IMP0227 HandySens^M | Printed in Canada

OpSens Medical ...

...750 Bd du Parc Technologique, Quebec, QC G1P 4S3 CANADA
t. +1.418.781.0333 | e. info-medical@opsens.com | w. www.opsensmedical.com